



# 5708A

*Multifunction Timer-Counter*

Functions as a Timer, Counter, Frequency Meter or Tachometer

## Functions

The 5708A model is an all in one unit that can be used as a timer, counter, frequency meter, and a tachometer. This unit contains 23 functions (15 timer, 6 counter, frequency meter, & tachometer), which are selectable through the set up menu. Engineered with a unique battery cover design for easy battery replacement, this unit needs no external power source.

- Functions as a Timer, Counter, Frequency Meter or Tachometer
- 8-digit High Resolution LCDI
- Front IP66 Water Protection
- 15 Selectable Display Options
- Battery Operated.



### TIMER

Display Unit day/hour/min/sec  
15 Display functions (Selectable)

### COUNTER

Frequency Response is programmable for elimination of outside Switch key-bounce, and edge trigger.

- <50 cps (rising and falling edge)
- <100 cps (rising and falling edge)
- <600 cps (rising and falling edge)

### FREQUENCY METER

Response Frequency     2.5 Hz-1300 Hz  
4-digit display            2.500-1300 Hz

### TACHOMETER

RPM range                 150 RPM-78,000 RPM  
Max.5-Digit display     150-78000

### MODEL NUMBER

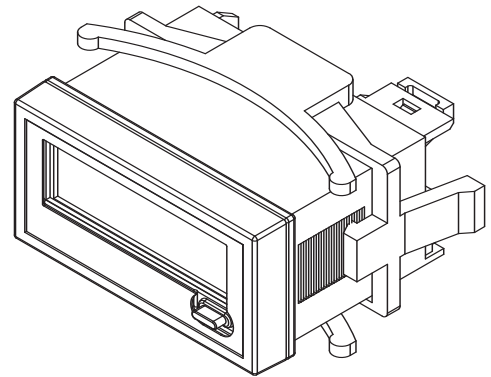
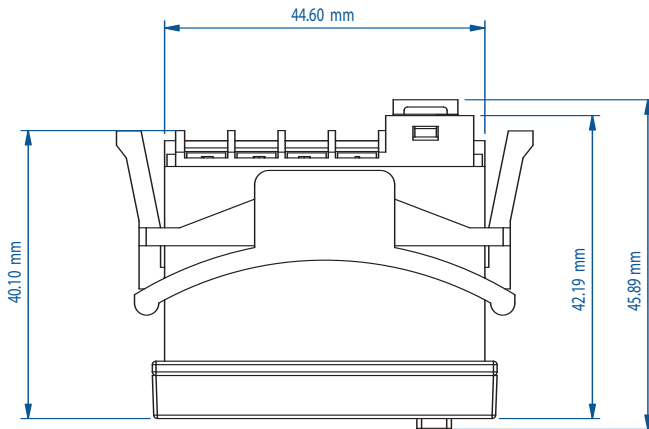
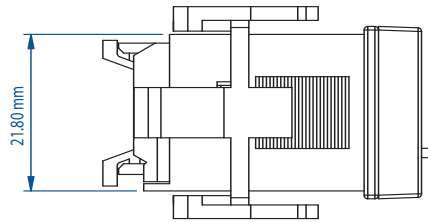
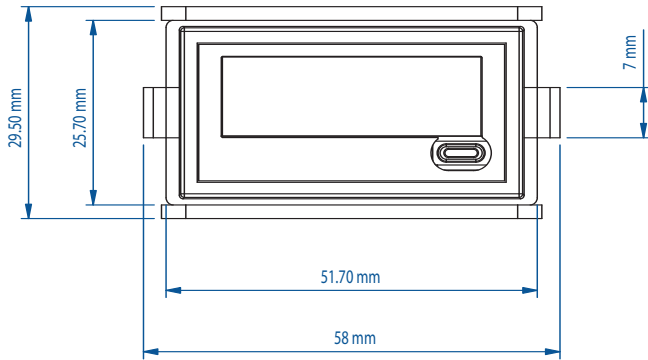
5708A

### SPECIFICATIONS

Multifunction Timer-Counter

Reset	Front Panel / Remote	
Display	LCD (8mm high)	
Number of Digits	8	
Max.5-Digit display	150-78000	
Count Input	Switch Closure	Dry Contact
Operating Temperature	14° to 131° F (-10° to 55° C)	
Operating Power	LR44 Battery	
Mounting	1/32 Din	
Front Water Protection	IP66	
Screw Type	M3	
Weight	33 g	
Vibration	IEC 60068-2-6	
IEC 60068-4-2	4KV Air/2KV Contact	
IEC 60068-4-3	10V/m (80MHz To 1GMHz)	
IEC 60068-4-4	1KV Input	

# Dimensions (mm)



## Ordering Information

Multifunction Timer-Counter

5708A



8019 Ohio River Blvd Newell, WV 26050  
304.387.1200 800.727.5646  
www.automatictiming.com