



Photoelectric Sensor

- Narrow Beam for Small Object Detection
- Input 10-30 VDC, Dual Output (PNP & NPN)
- Separate Power and Signal LED's
- Retroreflective and Diffuse
- PICO Style Quick Disconnect or 6" Pig Tail Available
- Designed for NEMA 6 / IP67

MODEL NUMBER >>>>>>	770	04	N	3	B
Type	Retro Reflective	3AR			
	Polarized Retro Reflective	3BR			
Operation	On/Off	04			
Power Requirements	10-30 VDC	N			
Beam Type	Laser	3			
Output	Bi-Polar (NPN & PNP)	B			
Features	Quick Disconnect Standard (PICO M8 4 PIN)	QP			
	Special	K			
	Pig Tail 6 in. Standard (micro 4 pin)	PT			

NOTE: 2" Reflector and mounting bracket shipped with unit.

ACCESSORIES

7700-025-01-00: Connector/Cable, 4 Pin m8x1 pico/2 meters

7700-025-01-05: 5 meter cable

7700-025-01-10: 10 meter cable

0000-181-61-01: 1 ft. length, 1" reflective tape, high efficiency, exposed lens not protected by plastic film, adhesive backed.

0000-181-62-01: 1 ft. length, 1" reflective tape, medium efficiency, protected with clear plastic film, adhesive backed.

0000-181-63-01: 1 ft. length, 1" reflective tape, low efficiency, exposed lens, high temp., adhesive backed.

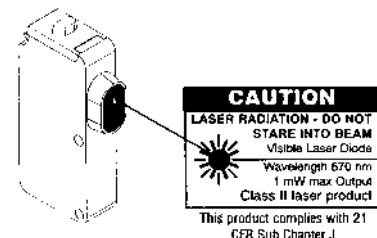
7002-210-04-00: 5/8" diameter Retro-reflector

0000-181-64-01: 1 ft. length reflective tape, used with the polarized retroreflective model.

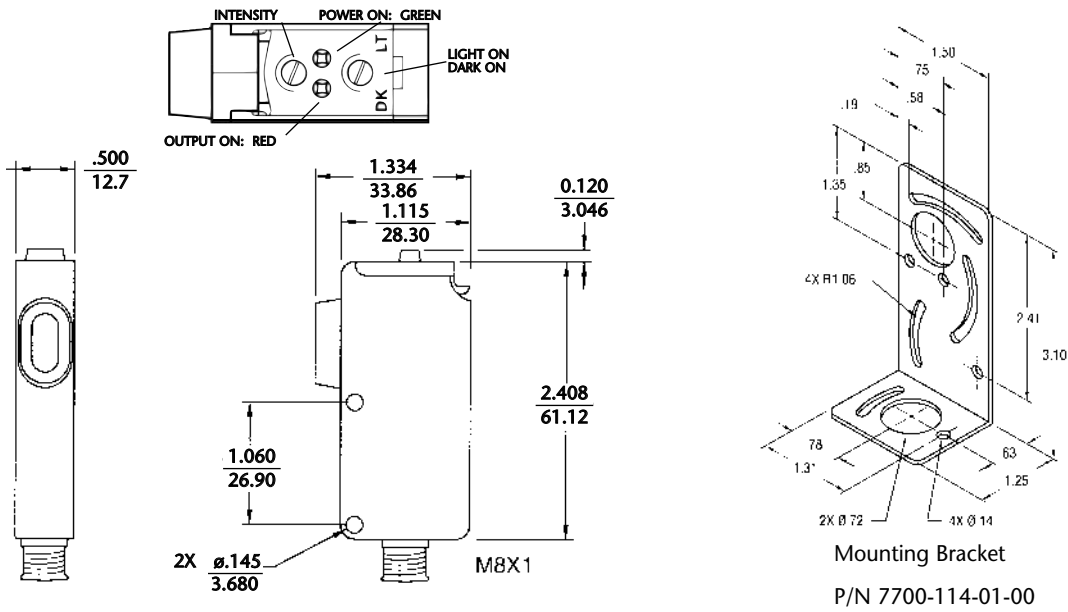
The **7700 Series Laser** provides a method for photoelectric detection of a small object over long distances. The laser-diode sensing device maintains a tiny spot size, with little divergence over distances up to 100 feet using a 2" X 2" retroreflector. This allows for long range detection of small objects. The unit provides precise leading and trailing edge detection of products on conveyors and packaging machinery. Sensing of very tightly spaced small objects is also possible for purposes of counting and batching.

SPECIFICATIONS

SUPPLY VOLTAGE	10 to 30 VDC	
SUPPLY CURRENT	30 mA maximum	
OUTPUT CONFIGURATION	One current sourcing (PNP) and one current sinking (NPN) open collector transistor	
OUTPUT MODE	Set by "Light ON" / "Dark ON" switch	
OUTPUT RATING	200 mA maximum each output. Output saturation less than 0.2 volts @ 10mA and less than 0.6 volts at 200 mA	
OUTPUT PROTECTION	Protected against current overload, inductive transients, no false pulse on power-up	
RESPONSE TIME	less than 2 ms, >500 Hz	
SENSING RANGE	Retroreflective	100 ft. with 2" X 2" reflector, ATC p/n 0000-181-52-00, Minimum target object size 2" X 2" (At maximum intensity, the unit may prox out to 36")
	Diffuse (proxing)	12 in. with .25" X .25" Kodak 90% white card
INDICATORS	Power	Red
	Output on	Green
ADJUSTMENTS	Single turn intensity control, two position Light operate or Dark operate	
SENSING BEAM	670 nm visible red	
AVERAGE OUTPUT POWER	150 µW	
HOUSING	NEMA 6	
CONNECTOR	4 pin, M8x1, pico style. Pin 1 - power, Pin 2 - NPN output, Pin 3 - common, Pin 4 - PNP output	
PIG TAIL	6" cable PVC .175 dia. micro connector 4 pin	
OPERATING TEMPERATURE	32° to 104°F (0 to 40°C)	
WEIGHT	<2 oz.	



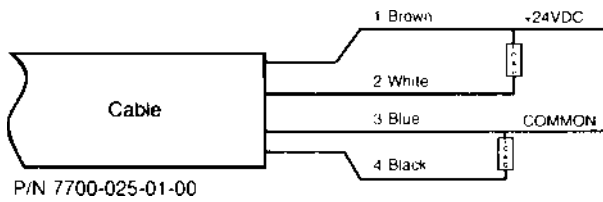
DIMENSIONS (INCHES/MILLIMETERS)



Mounting Bracket

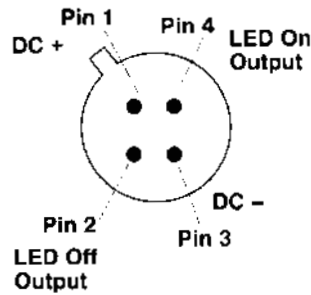
P/N 7700-114-01-00

WIRING

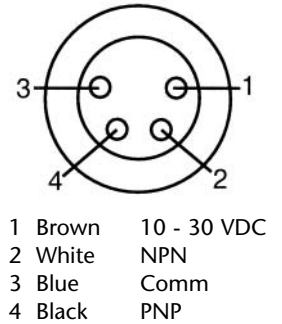


P/N 7700-025-01-00

CABLE CONNECTOR (MICRO)



HOUSING CONNECTOR (PICO)



- 1 Brown 10 - 30 VDC
- 2 White NPN
- 3 Blue Comm
- 4 Black PNP