



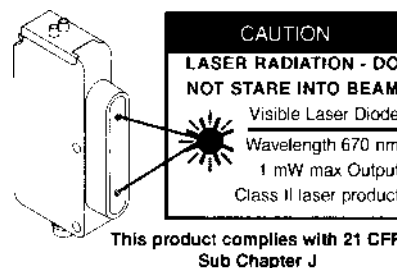
Convergent Beam Sensor

- Small Object Detection (<2mm)
- Input 10-30 VDC, Dual Output (PNP & NPN)
- Background Suppression beyond 4-1/2"
- Light-On and Dark-On Operate (switch selectable)
- Highly Visible Power and Output LEDs
- Maximum Sensing Distance: 4", 6" or 8"
- Designed for NEMA 6/IP67

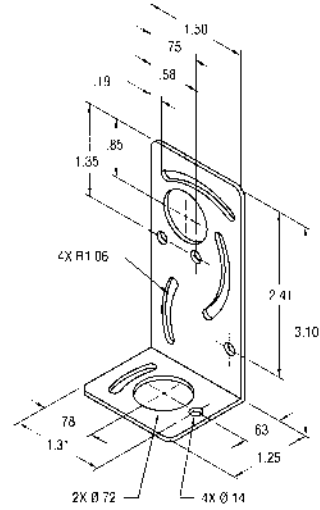
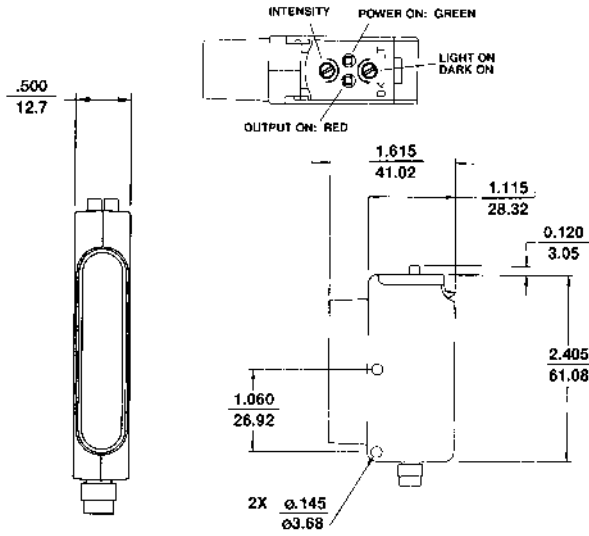
MODEL NUMBER >>>>>>	770	04	N	3	B
Type					
Diffuse 4" Sensing Distance	6AD				
Diffuse 6" Sensing Distance	6AE				
Diffuse 8" Sensing Distance	6AF				
Operation					
Switch Selectable (light-ON/ dark-ON)	04				
Power Requirements					
10-30 VDC	N				
Beam Type					
Visible Red Laser	3				
Output					
Bi-Polar (NPN & PNP)	B				
Features					
Quick Disconnect Standard (PICO M8 4 PIN)	QP				
Special	K				
ACCESSORIES					
7700-025-01-00:	Connector/Cable, 4 Pin m8x1 pico/2 meters				
7700-025-01-05:	5 meter cable				
7700-025-01-10:	10 meter cable				
0000-181-61-01:	1 ft. length, 1" reflective tape, high efficiency, exposed lens not protected by plastic film, adhesive backed.				
0000-181-62-01:	1 ft. length, 1" reflective tape, medium efficiency, protected with clear plastic film, adhesive backed.				
0000-181-63-01:	1 ft. length, 1" reflective tape, low efficiency, exposed lens, high temp., adhesive backed.				
7022-210-04-00:	5/8" diameter Retro-reflector				

SPECIFICATIONS

SUPPLY VOLTAGE	10 to 30 VDC	
SUPPLY CURRENT	30 mA maximum	
OUTPUT CONFIGURATION	One current sourcing (PNP) and one current sinking (NPN) open collector transistor	
OUTPUT MODE	Set by "Light ON" / "Dark ON" switch	
OUTPUT RATING	200 mA maximum each output. NPN output saturation less than 0.2 volts @ 10 mA and less than 0.8 volts at 200 mA. PNP 0.8 volts @ 10mA and less than 1.5 volts @ 200mA	
OUTPUT PROTECTION	Protected against current overload, inductive transients, no false pulse on power-up	
RESPONSE TIME	less than 2 ms, >500 Hz	
INDICATORS	Power	Red
	Output On	Green
ADJUSTMENTS	Single turn intensity control, two position Light operate or Dark operate	
SENSING BEAM	670 nm visible red	
AVERAGE OUTPUT POWER	<150 nW	
SENSING RANGES	4" Version	2.375 in. min. to 4.0 in. max. Typical to 90% white Kodak card 2.75 in. min. to 3.5 in. max. Typical to 18% gray Kodak card
	6" Version	3.41 in. min. to 6.0 in. max. Typical to 90% white Kodak card 3.44 in. min. to 4.58 in. max. Typical to 18% gray Kodak card
	8" Version:	4.22 in. min. to 8.0 in. max. Typical to 90% white Kodak card 4.60 in. min. to 5.4 in. max. Typical to 18% gray Kodak card
HOUSING	NEMA 6	
CONNECTOR	4 pin, M8x1, pico style. Pin 1 - power, Pin 2 - NPN output, Pin 3 - common, Pin 4 - PNP output	
OPERATING TEMPERATURE	32° to 104°F (0 to 40°C)	
WEIGHT	<1 oz.	

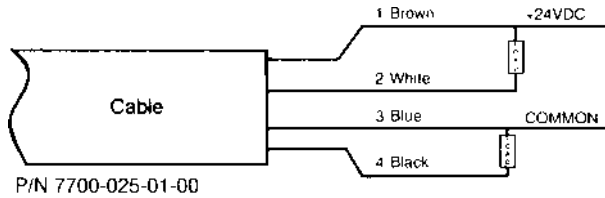


DIMENSIONS (INCHES/MILLIMETERS)

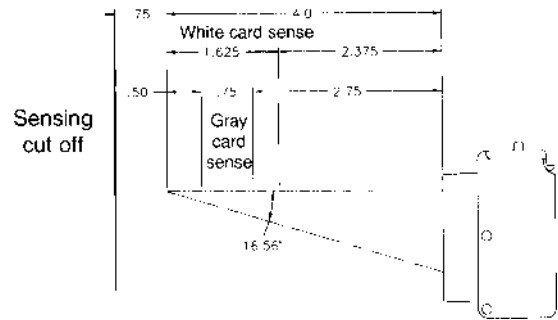


Mounting Bracket
P/N 7700-114-01-00

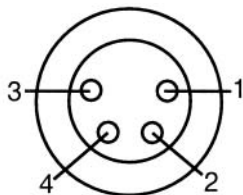
WIRING



SENSING AREAS



HOUSING CONNECTOR



- 1 Brown 10 - 30 VDC
- 2 White NPN
- 3 Blue Comm
- 4 Black PNP

CABLE CONNECTOR (MICRO)

