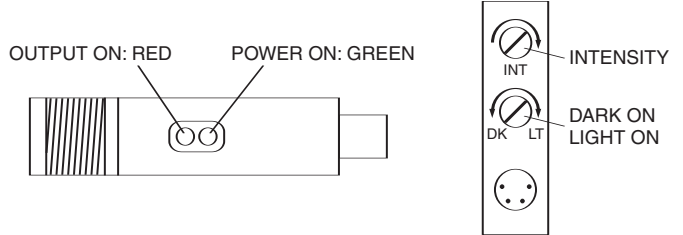




Small Quick Disconnect Laser Sensor

- Small footprint, M18 Compatible Housing
- Visible Narrow Beam for Small Object Detection
- Easy Setup
- 0 to 160 ft. Range
- Retroreflective and Diffuse
- Input 10-30 VDC, Dual Output (PNP & NPN)
- Separate Power and Signal LED's
- PICO Style Quick Disconnect or 6" Pig Tail Available

The **7708 M18 Laser Sensor** provides a method for **photoelectric detection** of *small objects over long distances*. The Class II visible laser-diode sensing device maintains a tiny spot size, with little divergence over distances up to 100 feet using a 2" x 2" retroreflector. The unit provides precise *leading and trailing edge detection* of products on conveyors and packaging machinery. Sensing of very tightly spaced small objects is also possible for purposes of counting and batching.



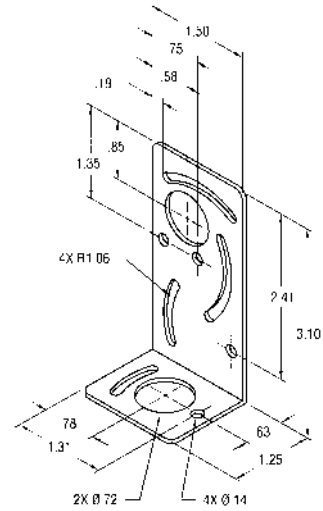
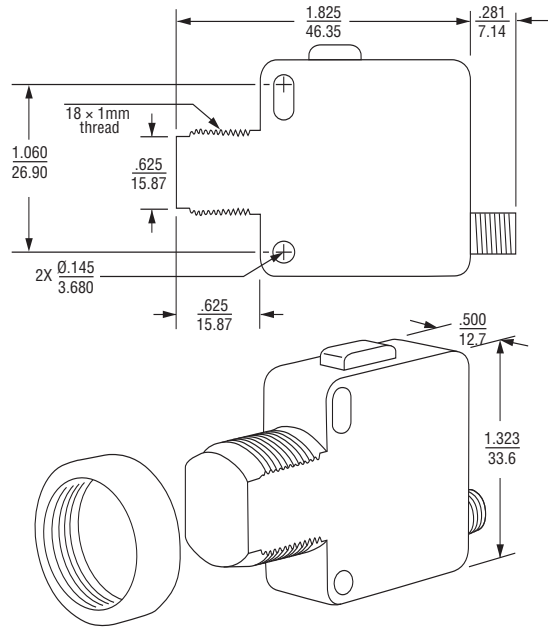
SPECIFICATIONS

SUPPLY VOLTAGE	10 to 30 VDC	
SUPPLY CURRENT	30 mA maximum	
OUTPUT CONFIGURATION	One current sourcing (PNP) and one current sinking (NPN) open collector transistor	
OUTPUT MODE	Set by "Light ON" / "Dark ON" switch	
OUTPUT RATING	200 mA maximum each output. Output saturation less than 0.2 volts @ 10mA and less than 0.6 volts at 200mA	
OUTPUT PROTECTION	Protected against current overload, inductive transients, no false pulse on power-up	
RESPONSE TIME	Less than 2 ms, >500 Hz	
INDICATORS	Power	green
	Output On	red
ADJUSTMENTS	8 turn intensity control, two position Light operate or Dark operate	
SENSING BEAM	670 nm visible red	
AVERAGE OUTPUT POWER	150 mW	
SENSING RANGES	Retroreflective	100 feet with 2" X 2" reflector, ATC p/n 0000-181-52-00, Minimum target object size 2" X 2" (At maximum intensity, the unit may prox out to 36")
	Diffuse (proxing)	12 in. with .25" X .25" Kodak 90% white card
HOUSING		
PIG TAIL	6" cable PVC .175 dia. micro connector 4 pin	
CONNECTOR	4 pin, M8x1, pico style. Pin 1 - power, Pin 2 - NPN output, Pin 3 - common, Pin 4 - PNP output	
OPERATING TEMPERATURE	32° to 104°F (0 to 40°C)	
WEIGHT	<1 oz.	

MODEL NUMBER >>>>>>	770	04	N	3	B
Type					
Retroreflective	8AR				
Polarized Retroreflective	8BR				
Operation					
Switch Selectable (light-ON/ dark-ON)	04				
Power Requirements					
10-30 VDC		N			
Beam Type					
Laser			3		
Output					
Bi-Polar (NPN & PNP)					B
Features					
Quick Disconnect Standard (PICO M8 4 PIN)					QP
Special					K
Pig Tail 6 in. Standard (micro 4 pin)					PT

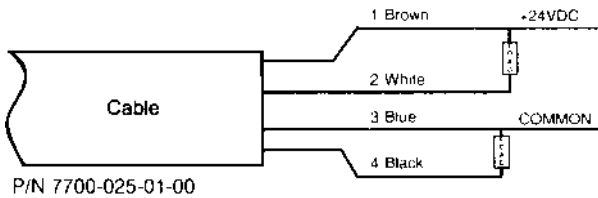
- ACCESSORIES
- 7700-025-01-00: Connector/Cable, 4 Pin m8x1 pico/2 meters
  - 0000-181-61-01: 1 ft. length, 1" reflective tape, high efficiency, exposed lens not protected by plastic film, adhesive backed.
  - 0000-181-62-01: 1 ft. length, 1" reflective tape, medium efficiency, protected with clear plastic film, adhesive backed.
  - 0000-181-63-01: 1 ft. length, 1" reflective tape, low efficiency, exposed lens, high temp., adhesive backed.
  - 7022-210-04-00: 5/8" diameter retroreflector

DIMENSIONS (INCHES/MILLIMETERS)



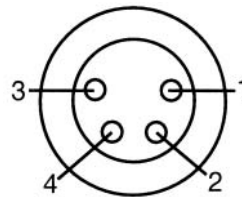
Mounting Bracket  
P/N 7700-114-01-00

WIRING



P/N 7700-025-01-00

HOUSING CONNECTOR



- 1 Brown 10 - 30 VDC
- 2 White NPN
- 3 Blue Comm
- 4 Black PNP

CABLE CONNECTOR (MICRO)

