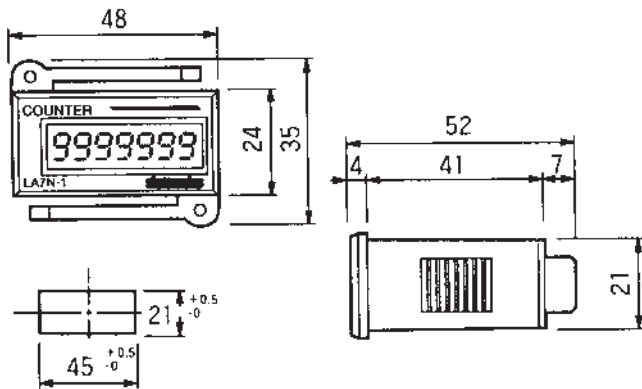


The LA7N product family consists of three (3) models; the LA7N-2 and LA7N-2R which require a switch closure for count input and LA7N-FR which employs a voltage input for count input. Models LA7N-FR and LA7N-2R are equipped with a button for reset on their front panel. Model LA7N-2 can only be reset by a remote switch. All models are compact and are *battery powered* for a broad range of applications. The liquid crystal display is seven figure with zero blanking. Count input speed is 30 CPS and is accomplished through a simple switch closure which is wired to the terminals on the rear of the counter for models LA7N-2R and LA7N-2. Snap switch, push-button or toggle switch, or a reed switch device are common input switches used with these models. Model LA7N-FR requires a voltage count input of 24 to 240 VAC or 6 to 240 VDC. Since the counter is battery powered, it will display count continuously and requires no memory saving attachments or circuitry. Panel mounting hardware is supplied with the counter.



Self-Powered LCD Counters

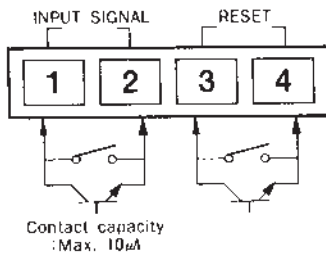
DIMENSIONS (MILLIMETERS)



WIRING

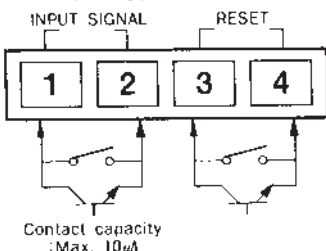
LA7N-2 and LA7N-2R

● Contact input type



LA7N-FR

● Contact input type



SPECIFICATIONS

RESET	Front Panel Button (2R and FR Models)	
	External Contact — All Models	
DISPLAY	LCD, H 7mm, W 3mm, Zero Blanking	
NUMBER OF DIGITS	Seven	
COUNT INPUT	Switch Closure	—2R, —2 Models
	Voltage	24-240VAC, 6-240VDC; —FR Model
COUNT SPEED	30CPS	—2 and —2R Models
	20CPS	—FR Model
OPERATING TEMPERATURE	14° to 131°F (-10° to 55°C)	
OPERATING POWER	Internal Lithium Battery—Est. 7 Yr. Life	
TERMINALS	Rear Mounted Screws	
MOUNTING	Front Panel	
WEIGHT	0.19 lb.	

ORDERING INFORMATION

MODEL NUMBER	DESCRIPTION
LA7N-2	Switch Input, Remote Reset Only
LA7N-2R	Switch Input, Front Panel & Remote Reset
LA7N-FR	Voltage Input, Front Panel Reset