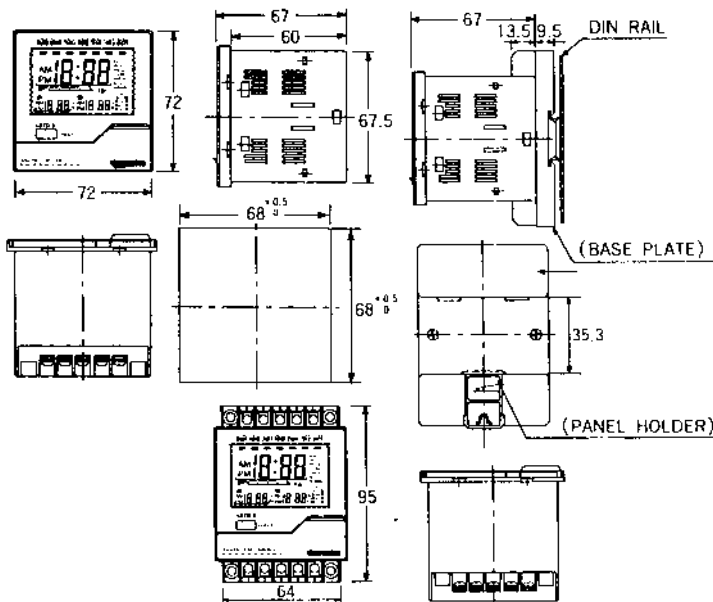




7 Day, Weekly Control

- Each Day Can Be Individually Programmed
- Two (2) Independently Controlled SPDT Relay Outputs
- Up To 24 Independent Programs
- Programmable Output Functions Including Normal ON-OFF Operation, Repetitive Cycle ON-OFF Operation and Pulse Operation
- Programmable Manual or Auto Restart After Power Loss
- Battery Memory Maintains Actual Time and Programmed Information
- Universal Operating Power 100-240 VAC
- Can Be Panel or DIN Rail Mounted (Din Rail Socket Included)
- Manual Override of Outputs Allows User To Force Them ON or OFF
- Industry Standard 72mm² Case

DIMENSIONS (MILLIMETERS)



Model LE7M-2, seven day weekly timer offers a wide range of control flexibility through simple programming for each day individually or repeated for two through seven days. The weekly timer has two independent SPDT relay outputs each of which can be programmed in any of three timing modes. The timer can be front panel, base, or DIN rail mounted with all hardware for the three methods supplied with the unit.

Changes to individual days can be accomplished without the need to reprogram the entire week. A front panel check button allows the user to view the programmed information without affecting the operation. Also, a manual override of the outputs allows the user to force them ON or OFF if required.

SPECIFICATIONS—ALL MODELS

TIMING DISPLAY	AM 0:00 to 11:59 PM 0:00 to 11:59
TIME DEVIATION PER MONTH	±15 SEC
CONTROL SETTINGS	Front Panel Keypad
OPERATING VOLTAGE	100 to 240 VAC, 50/60 Hz.
POWER CONSUMPTION	Approx. 3VA @ 100 VAC, 5VA @ 240 VAC
CONTROL RELAY OUTPUTS	2 Each, SPDT, 5A @ 240 VAC
OUTPUT TIMING MODES	ON/OFF Operation Repeat Cycle ON/OFF Pulse ON (Set From 1-59 SEC)
RELAY LIFE	Mechanical: 5 Million @30 Per Minute Electrical: 100,000 @ 20 Per Minute
MEMORY RETENTION	5 Year Lithium Battery
INSULATION RESISTANCE	Max. 100m @ 500 VDC
DIELECTRIC STRENGTH	2,000 VAC, 50/60 Hz. For 1 Minute
MOUNTING	Front Panel, Base or DIN Rail Mounting Bracket Supplied
TEMPERATURE RATING	32° to 120°F (0° to 50°C)
TERMINATION	Wire Clamp Screws
WEIGHT	0.75 lbs.

ORDERING INFORMATION

LE7D-2 The 7 Day Timer has all options programmable and universal 100 to 240 VAC input power; therefore, only *one mode number* is required to order.

WIRING

