

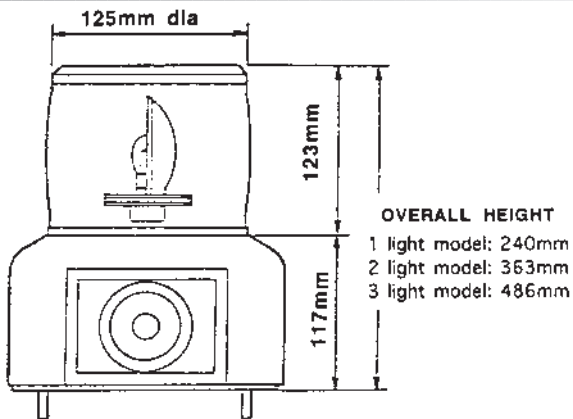
MAGNUM SIZE ROTATING/AUDIO TOWER LIGHT

- 105 Decibel Selectable Alarm or Melody Audio
- 25W Bulb, Large Reflector Surface
- Ideal for Noisy Industrial Locations
- 1, 2 or 3 Light Models
- Long Distance Viewing/Hearing
- Large 5" Diameter Lens

SPECIFICATIONS		
OPERATING VOLTAGE	110 VAC	
POWER CONSUMPTION	2.08A	
ROTATION LENS	150RPM	
LIGHT SOURCE	Replaceable Bulb, 25W	
MOUNTING	Base	
WEIGHT	22 oz.	
AUDIO	Selectable	Warning 105 db. Melody 70 db.

ORDERING INFORMATION		
MODEL NUMBER	NO. OF LIGHTS	LENS COLOR
TR125BSA-110-1	1	Red
TR125BSA-110-2	2	Red, Green
TR125BSA-110-3	3	Red, Amber, Green

DIMENSIONS (MILLIMETERS)



For replacement bulbs, see page 143



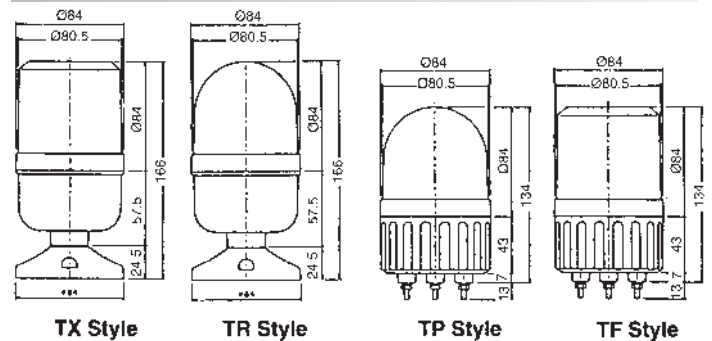
Rotating/Audio Tower Light

ROTATING LIGHTS

- 4 Styles of Lights
- 110/220 VAC or 24 VDC
- 4 Dome Colors (R, A, G & B)
- Rotation Rate 130RPM

SPECIFICATIONS	
OPERATING VOLTAGE	110 VAC
POWER CONSUMPTION	0.1A
BULB RATING	12V, 5W or 24V, 5W
REFLECTOR ROTATION	130 RPM
LENS DIAMETER	80mm
WEIGHT	14 oz. to 22 oz.

DIMENSIONS (MILLIMETERS)



MODEL NUMBER >>>>>>	T		
Lens/Mounting Style/Base			
Cylinder/mounting style	X		
Cylinder/female	R		
Dome/male	P		
Cylinder/male	F		
Voltage			
24 VDC	24		
110 VAC	110		
Lens Color			
	Red	R	
	Amber	A	
	Clear	C	
	Blue	B	

Indicating Lights // Series TF, TP, TR, TX