

Model TL tower lights are a unique design based on the refraction principal. Light from the LEDs passes through computer designed dual prism which refracts the beams. The light does not bounce off or reflect off a polished surface. As a result, TL lights provide a more even beam disbursement with few if any "hot" spots. After passing through the prisms, the light is dispersed or diffused by the lens which is vertically ribbed on the inside and horizontally ribbed on the outside. The result is not only a bright easily visible light but one with a uniform illumination spread throughout the lens.

The lights are available in one (1) through five (5) lamp models and can be supplied in steady or flashing light and steady light with a powerful 80dB/M buzzer. Buzzer only models are available in both pole and base mounting configurations. The TL family is very versatile since each lamp in an assembly can be wired to perform individually based on the user's needs. As an example, a three light with buzzer model (TLSB-XX-3) can be wired to have only the buzzer sound when the red lamp is on and the buzzer silent when the green and amber lights are powered.

Model TL lights provide a 360° visual indication and are aesthetically compatible with instrument or office equipment as well as being environmentally suitable for process and production applications.

LED Tower Lights

- Long Life LED Lamps
- Flashing or Steady Light Modes
- Loud 80dB/M Buzzer Only or Buzzer/Light Models
- One Through Five Light Models
- Base or Pole Mounting (All Mounting Hardware Supplied)
- Replaceable Lenses and LED Lamp Modules
- Unique Through-Prism, Light Refraction Design
- IP54, Splash Proof Rated
- Brushed Aluminum Poles and Design Enhanced Lights Provide Pleasing Aesthetics

SPECIFICATIONS

OPERATING VOLTAGE	110 VAC, 50/60 Hz.
	24 VDC
	220 VAC Available—Special Order
POWER CONSUMPTION	110 VAC, 40mA per Light
	24 VDC, 20mA per Light
RATING	IP54
RECOMMENDED SWITCH RATING	2A
BUZZER DECIBEL	80dB/M
TERMINATION	Wire Leads
LAMP LIFE (LED)	100,000 Hours Est.
FLASH RATE	60 FPM
MOUNTING	Base or Pole with 90° Angle Bracket All Hardware Supplied
WEIGHT	1.75 lbs. to 2.35 lbs.

ORDERING INFORMATION

For replacement bulbs, see page 143

MODEL NUMBER	NO. OF LIGHTS	VOLTAGE	LIGHT MODE	BUZZER	MOUNTING
TLFPW-24-1	1	24VDC	Flashing	No	Pole
TLFPW-24-3	3	24VDC	Flashing	No	Pole
TLFPW-120-1	1	120VAC	Flashing	No	Pole
TLFPW-120-2	2	120VAC	Flashing	No	Pole
TLFPW-120-3	3	120VAC	Flashing	No	Pole
TLSB-120-1	1	120VAC	Steady	No	Base
TLSB-120-2	2	120VAC	Steady	No	Base
TLSB-120-3	3	120VAC	Steady	No	Base
TLSBPW-120-1	1	120VAC	Steady	Yes	Pole
TLSBPW-120-2	2	120VAC	Steady	Yes	Pole
TLSBPW-120-3	3	120VAC	Steady	Yes	Pole
TLSPW-24-1	1	24VDC	Steady	No	Pole
TLSPW-24-3	3	24VDC	Steady	No	Pole
TLSPW-120-1	1	120VAC	Steady	No	Pole
TLSPW-120-2	2	120VAC	Steady	No	Pole
TLSPW-120-3	3	120VAC	Steady	No	Pole
TLSPW-120-4	4	120VAC	Steady	No	Pole
TLSPW-120-5	5	120VAC	Steady	No	Pole
TBB-120	None	120VAC	None	Yes	Base
TBPW-120	None	120VAC	None	Yes	Pole

Many other model variations are available on a special order, non-stock basis. Special order variations include: 220 VAC, non-standard lens sequence, multiple lenses of the same color, flashing light/buzzer, pole with base mounting. Contact Factory for model variation information.

STANDARD LIGHT/LENS SEQUENCE

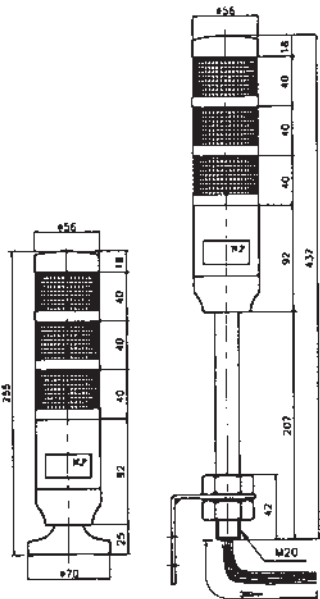
TOP TO BASE

- 1 Light — Red
- 2 Light — Red, Green
- 3 Light — Red, Amber, Green
- 4 Light — Red, Amber, Green, Blue
- 5 Light — Red, Amber, Green, Blue, Clear

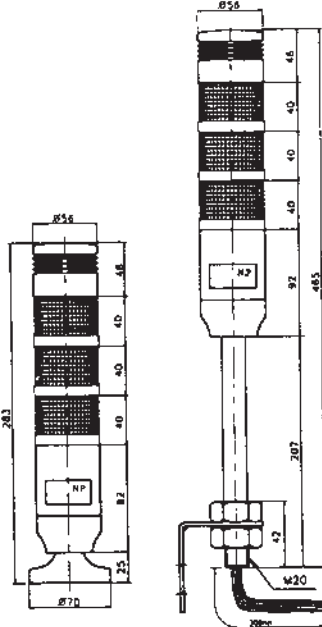
For replacement bulbs, see page 143

DIMENSIONS (MILLIMETERS)

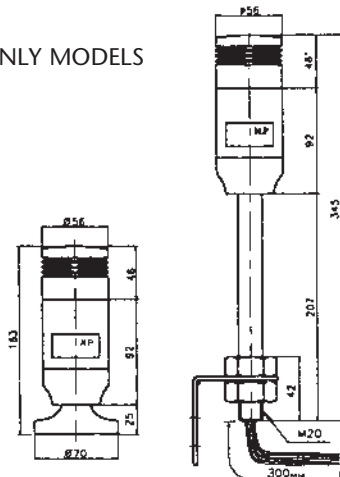
STEADY & FLASHING LIGHT MODELS



STEADY & FLASHING BUZZER MODELS

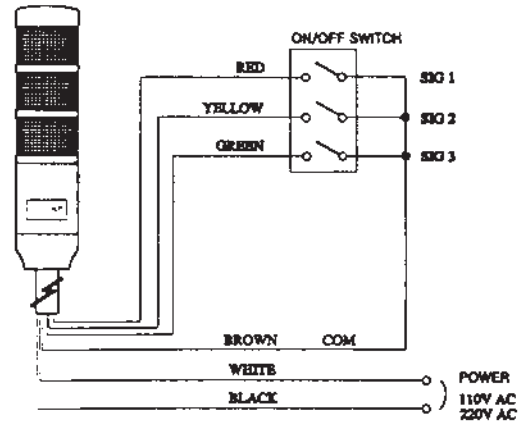


BUZZER ONLY MODELS

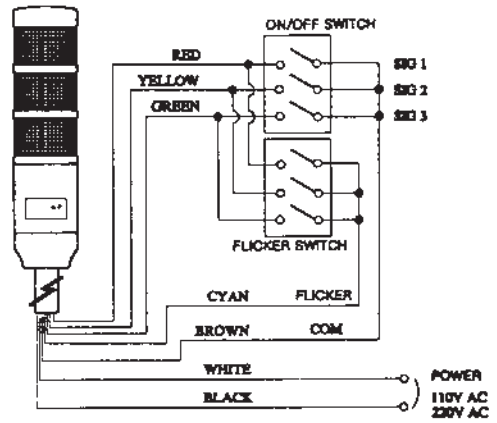


WIRING

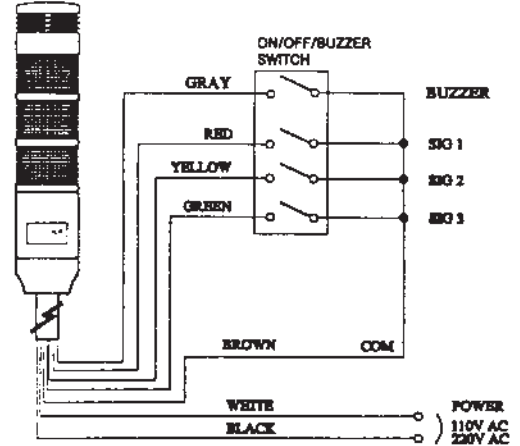
STEADY LIGHT MODELS



FLASHING LIGHT MODELS



STEADY LIGHT WITH BUZZER MODELS



BUZZER ONLY MODELS

