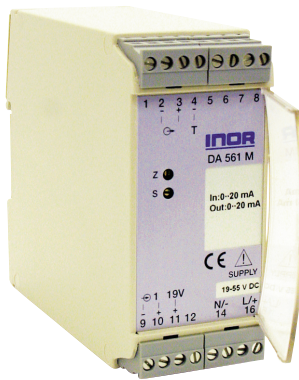


DA561



DA561M

Isolation Transmitter for mA/V Signals with 2-wire Transmitter Supply



DA561 is specially designed for signal isolation and load amplification in the process industry.

A 2-wire transmitter can be connected to and supplied from the isolation amplifier.

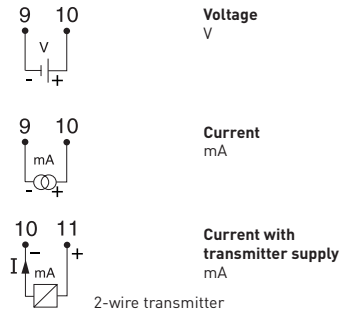
DA561 maintains a high isolation level (1,5 kV) between input and output. Current and voltage can be chosen independently as input and output signals.

- Current and voltage input
- Current and voltage output
- Direct connection of 2-wire transmitter
- Output test terminals
- 1 500 V isolation level
- Short response time
- High noise immunity
- Available for AC or DC power supply
- DIN-rail mounting
- Plug-in screw terminals

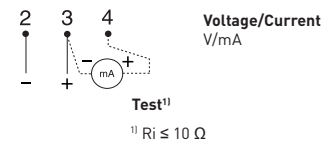
Specifications:

Input Voltage	0(0.2)-1 V, 0(1)-5 V, 0(2)-10 V	
Input impedance	1 M Ω	
Input Current	0(4)-20 mA (standard setting)	
Input impedance	11.9 Ω	
Maximum input level	200 % of measurement span	
Output Voltage	0(0.2)-1 V, 0(1)-5 V, 0(2)-10 V, short circuit protected	
Minimum load	500 k Ω (error effect <0.1 %)	
Voltage limitation	Appr. 56 V	
Output Current	0(4)-20 mA, open or short circuit protected (standard setting)	
Maximum load	600 Ω	
Current limitation	Appr. 23 mA	
Test output	mA instrument, $R_i \leq 10 \Omega$	
Transmitter supply voltage	19 VDC, max. ripple 100 mV p-p	
Operation temperature	-20 to +60 °C / -4 to +140 °F	
Galvanic isolation	AC & DC version	
	Input to output	1 500 VAC, 1 min
	Input/output to power supply	2 200 VAC, 1 min
Power supply	AC versions	230 VAC, -15..+10 %, 45..75 Hz, 115 VAC, -15..+10 %, 45..75 Hz
	DC version	19 to 60 VDC
Typical accuracy	± 0.15 % of span	
Connections	Plug-in terminals	Stranded, ≤ 2.5 mm ² , AWG 14
Mounting	Rail acc. to DIN EN 50022, 35 mm	

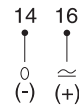
Input connections



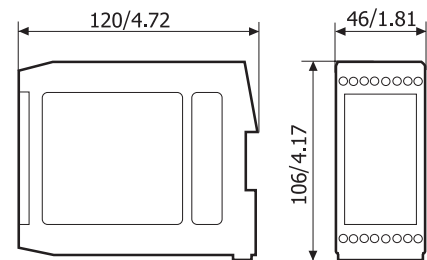
Output connections



Power supply



Dimensions



mm/inches

Ordering information

DA561, In/Out 0(4)-20 mA, 230 VAC	51MOE00006
DA561, In/Out 0(4)-20 mA, 115 VAC	51MOE00084
DA561, In/Out 0(4)-20 mA, 19-60 VDC	51MOE00007
Configuration for other range	70CAL00003