

# DA562

## Dual Channel Isolation Transmitter for mA/V Signals



DA562



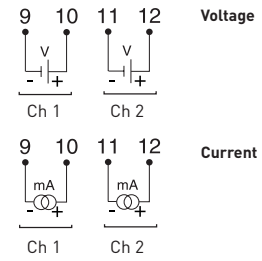
DA562 is specially designed for signal isolation and load amplification in the process industry. Two independent and galvanically isolated channels allow for high-density mounting. DA562 maintains a high isolation level (1,5 kV) between input, output and the two channels. Current and voltage can be chosen independently as input and output signals.

- Two fully independent isolated channels
- Current and voltage input
- Current and voltage output
- Output test terminals
- 1 500 V isolation level
- Short response time
- High noise immunity
- Available for AC or DC power supply
- DIN-rail mounting
- Plug-in screw terminals

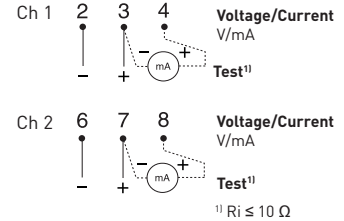
### Specifications:

|                              |  |  |
|------------------------------|--|--|
| <b>No. of channels</b>       | Two, independent selection of input/output signal              |  |
| <b>Input Voltage</b>         | 0(0.2)-1 V, 0(1)-5 V, 0(2)-10 V                                |  |
| Input impedance              | 1 MΩ   |  |
| <b>Input Current</b>         | 0(4)-20 mA (standard setting)                                  |  |
| Input impedance              | 11.9 Ω   |  |
| <b>Maximum input level</b>   | 200 % of measurement span                                      |  |
| <b>Output Voltage</b>        | 0(0.2)-1 V, 0(1)-5 V, 0(2)-10 V, short circuit protected       |  |
| Minimum load                 | 500 kΩ (error effect <0.1 %)                                   |  |
| Voltage limitation           | Appr. 56 V   |  |
| <b>Output Current</b>        | 0(4)-20 mA, open or short circuit protected (standard setting) |  |
| Maximum load                 | 600 Ω  |  |
| Current limitation           | Appr. 23 mA  |  |
| <b>Test output</b>           | mA instrument, Ri ≤ 10 Ω                                       |  |
| <b>Operation temperature</b> | -20 to +60 °C / -4 to +140 °F                                  |  |
| <b>Galvanic isolation</b>    | AC & DC version  |  |
|                              | Input to output  | 1 500 VAC, 1 min   |
|                              | Input/output to power supply                                   | 2 200 VAC, 1 min   |
|                              | Between channels   | 1 500 VAC, 1 min   |
| <b>Power supply</b>          | AC versions  | 230 VAC, -15..+10 %, 45..75 Hz, 115 VAC, -15..+10 %, 45..75 Hz |
|                              | DC version   | 19 to 60 VDC   |
| <b>Typical accuracy</b>      | ±0.15 % of span  |  |
| <b>Connections</b>           | Plug-in terminals  | Stranded, ≤ 2.5 mm <sup>2</sup> , AWG 14                       |
| <b>Mounting</b>              | Rail acc. to DIN EN 50022, 35 mm                               |  |

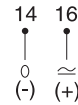
### Input connections



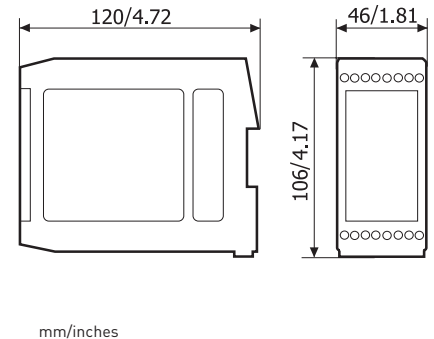
### Output connections



### Power supply



### Dimensions



### Ordering information

|                                     |            |
|-------------------------------------|------------|
| DA562, In/Out 0(4)-20 mA, 230 VAC   | 51MOE00008 |
| DA562, In/Out 0(4)-20 mA, 115 VAC   | 51MOE00059 |
| DA562, In/Out 0(4)-20 mA, 19-60 VDC | 51MOE00009 |
| Configuration for other range       | 70CAL00003 |