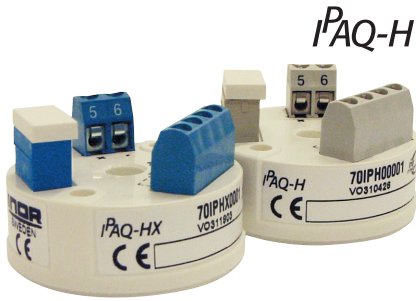


# IPAQ-H

## Universal Programmable 2-wire Transmitters



IPAQ-HX



IPAQ-H/-HX are universal, isolated 2-wire transmitters for temperature and other measurement applications. They combine competitive pricing, functionality and simple configuration. Useful error correction functions improve the accuracy.

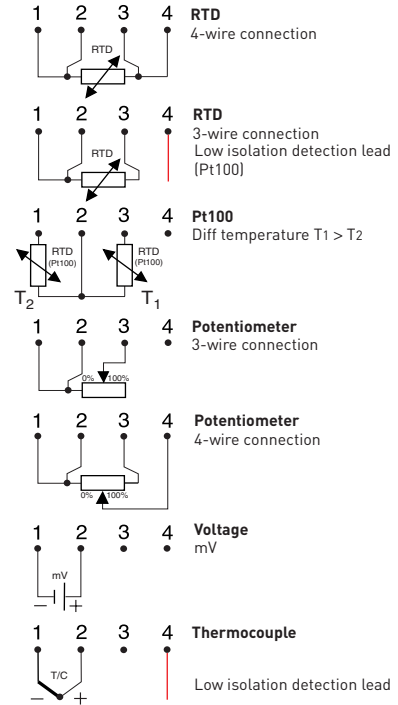
- Fully universal, linearized and high-isolation
- Accepts RTD, T/C, mV and  $\Omega$
- Sensor error and system (sensor/transmitter) error correction for highest total accuracy
- Full access to all features while in operation
- NAMUR compliant
- Consistent sensor break function
- Simplified loop check-up with calibration output
- Low sensor isolation detection
- IPRO, easy-to-use Windows configuration software

### Specifications:

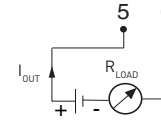
<b>Input RTD</b>	3-, 4-wire connection
Pt100 ( $\alpha=0.00385$ )	-200 to +1000 °C / -328 to +1832 °F
Pt1000 ( $\alpha=0.00385$ )	-200 to +200 °C / -328 to +392 °F
PtX $10 \leq X \leq 1000$ ( $\alpha=0.00385$ )	Upper range depending on X-value
Pt100 ( $\alpha=0.003902$ )	-200 to +1000 °C / -328 to +1832 °F
Pt100 ( $\alpha=0.003916$ )	-200 to +1000 °C / -328 to +1832 °F
Ni100 <sup>1)</sup> , Ni120 <sup>2)</sup>	-60 to +250 °C / -76 to +482 °F
Ni1000 <sup>1)</sup>	-100 to +150 °C / -148 to +302 °F
Cu10 <sup>3)</sup>	-200 to +260 °C / -328 to +500 °F
<b>Input Potentiometer / resistance</b>	3-, 4-wire connection, 0 to 2000 $\Omega$
<b>Input Thermocouples</b>	Types B, C, E, J, K, L, N, R, S, T, U
<b>Input mV</b>	-10 to +500 mV
<b>Sensor failure / Low isolation</b>	User definable output
<b>Adjustments - Zero</b>	Any value within range limits
<b>Adjustments - Minimum spans</b>	
Pt100, Pt1000, Ni100, Ni1000	10 °C / 18 °F
Potentiometer	10 $\Omega$
T/C, mV	2 mV
<b>Output</b>	4-20 / 20-4 mA, temperature linear
<b>Operating temperature</b>	-40 to +85 °C / -40 to +185 °F
<b>Galvanic isolation</b>	1500 VAC, 1 min
<b>Power supply</b>	IPAQ-H: 6.5 to 36 VDC IPAQ-HX: 8 to 30 VDC
<b>Intrinsic safety</b>	
IPAQ-HX ATEX:	II 1 G EEx ia IIC T4-T6
IPAQ-HX FM:	IS Class I, DIV 1, GP A-D
IPAQ-HX CSA:	Class I, Groups A-D
<b>Typical accuracy</b>	$\pm 0.1$ % of span
<b>Connection head</b>	DIN B or larger

<sup>1)</sup>DIN 43760 <sup>2)</sup>Edison No. 7 <sup>3)</sup>Edison No. 15

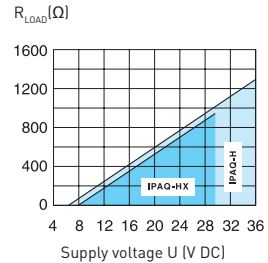
### Input connections



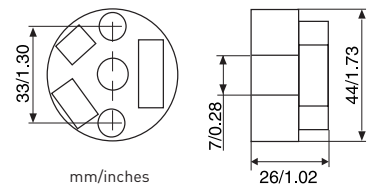
### Output connections



### Output load diagram



### Dimensions



### Ordering information

IPAQ-H	70IPH00001
IPAQ-HX (ATEX)	70IPHX0001
IPAQ-HX (FM, CSA)	70IPHX1001
PC Configuration Kit	70CFG00092
Configuration	70CAL00001