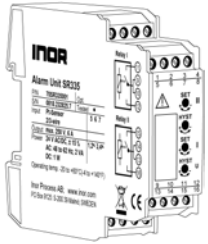


Alarm Unit with Pt100 Input SR335



www.inor.com, www.inor.se

The user instruction must be read prior to adjust and/or installation. All information subject to change without notice.



This product should not be mixed with other kind of scrap, after usage. It should be handled as an electronic/electric device.

MEASURE OF SUCCESS

SR335

1. Before Startup



When operating the alarm unit, certain parts of the module can carry dangerous voltage! Ignoring the warnings can lead to serious injury and/or cause damage!

The alarm unit should only be installed and put into operation by qualified staff. The staff must have studied the warnings in these operating instructions thoroughly.

The adjustment with the potentiometer on the front may only be carried out with a screwdriver which is securely insulated against the input voltage! Do not select ranges during operation.

In applications with high operating voltages sufficient distance and isolation as well as shock protection must be ensured.

Safe and trouble-free operation of this device can only be guaranteed if transport, storage and installation are carried out correctly and operation an maintenance are carried out with care.



Appropriate safety measures against electrostatic discharge (ESD) should be taken during range selection and assembly on the alarm unit.

2. Short description

The alarm unit is used to monitor temperature limit values with RTD sensors. Two switch channels with one SPDT relay each can be separately configured by using DIP switch. The switch point and hysteresis can each be adjusted by means of their own 12-turn potentiometer located on the unit's front. Input, power supply and the relay outputs are protective separated.

3. Functioning

The signal on input will be compared with the adjusted limit value. Depending on setting the output relays react. The switch state is indicated by a yellow LED. Both switch outputs can be set up as either MIN or MAX alarm. Additionally the SPDT relays can be configured as Normally Open (de-energized) or Normally Closed (energized), so it is possible to consider the switch state by power off. The power-detect function (S1-8) set Relay II under proper power conditions independent of the input signal. A green LED on front indicate the auxiliary power.

4. Configuration

Set the DIP switch as indicated in the following table:

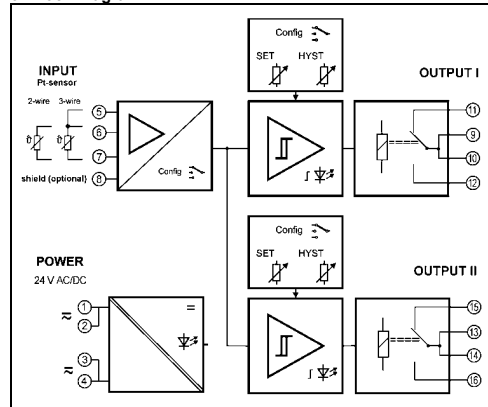
Sensor	S1- 1 2 3			Range S2- 1 2 3 4			
	Connection	Zero			Zero		
2-wire	•			- 100 °C			
3-wire				- 50 °C	•		
Type				0 °C		•	
Pt100		•	•	+ 50 °C	•	•	
Pt200			•	Span			
Pt500		•		100 °C			
Pt1000				200 °C			•
				300 °C			•
				400 °C			•

S1-	OFF	ON
4	Relay I MAX	Relay I MIN
5	Relay I N.O. (Normally Open)	Relay I N.C. (Normally Closed)
6	Relay II MAX	Relay II MIN
7	Relay II N.O. (Normally Open)	Relay II N.C. (Normally Closed)
8	Relay. II normal function	Relay. II power detect

• = on, **Boldface: Factory setting**

After configuration switch point and hysteresis will be adjusted with the potentiometers on the front. Connect a RTD Simulator with desired limit values on input terminals and adjust the set point by observe the LED. Note that the LED indicates the state of the comparator, not the state of the relay because it could be inverted as result of the N.O./N.C setting!

5. Block Diagram



6. Technical Data

Input	Pt100 / Pt200 / Pt500 / Pt1000 (switch selectable)
Sensor current	1.0 / 0.5 / 0.2 / 0.1 mA
Standard	IEC 60751, α=0.00385
Measuring range	Zero: -100 / -50 / 0 / +50 °C Span: 100 / 200 / 300 / 400 °C
Sensor connection	2-wire, 3-wire (switch selectable)
Sensor wire resistor	≤ 10 Ω per wire
Set point range	0 ... 100 % of input range with 12-turn potentiometer, MIN/MAX-Alarm switchable
Hysteresis	0 ... 60 % of final value with 12-turn potentiometer
Output	
Contact type	2 SPDT relays, mode of operation switch selectable
Switching capability	250 V AC/DC, max. 6 A, max. 1500 VA
Switch state indicator	Yellow LED
Response time	Approx. 20 ms
General data	
Set point error	0.2 % of final value
Temperature coefficient ¹⁾	150 ppm/K of final value.
Test voltage	4 kV, 50 Hz, input against power supply against both relays; 2.5 kV, 50 Hz, relay I against relay II
Working voltage ²⁾ (Basic insulation)	600 V AC/DC for overvoltage category III and pollution degree 2 acc. to EN 50178 between input, power supply and relay outputs. Up to 300 V AC/DC between both relay outputs.
Protection against dangerous body currents ²⁾	Protective separation according to EN 50178 by reinforced insulation up to 300 V AC/DC for overvoltage category II and pollution degree 2 between input, power supply and relay outputs.
Power supply	24 V AC/DC, ± 15 % AC: 48 ... 62 Hz, ca. 2 VA; DC: ca. 1 W
Ambient temperature	Operation -20 °C to +60 °C (-4 to +140 °F) Transport and storage -35 °C to +85 °C (-31 to +185 °F)
EMC ³⁾	EN 61326 -1
Construction	22.5 mm housing, protection class: IP 20 77,5 x 84 x 22,5 mm (H x D x W)
Weight	approx. 100 g

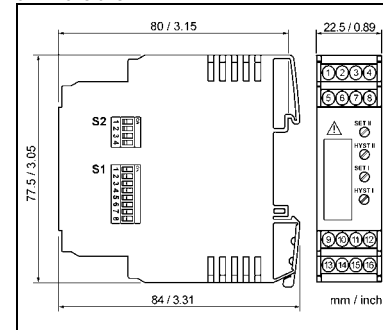
- Average TC in specified operating temperature range
- As far as relevant the standards and rules mentioned above are considered by development and production of our devices. In addition relevant assembly rules are to be considered by installation of our devices in other equipments. For applications with high working voltages, take measures to prevent accidental contact and make sure that there is sufficient distance or insulation between adjacent situated devices.
- Minor deviations possible during interference

7. Mounting, Electrical Connection

The alarm unit is mounted on standard 35 mm DIN rail.

Terminal assignments	
1, 2	Power supply ≡ 5 Pt Input
3, 4	Power supply ≡ 6 Pt Input
7	Pt Input
8	Input GND
9, 10	Relay I Common 13, 14 Relay II Common
11	Normally-Closed 15 Normally-Closed
12	Normally-Open 16 Normally-Open

8. Dimensions



9. Order Information

SR335, 24 VAC/DC	70SR335001
Configuration	70CAL0001

LIMITED WARRANTY

INOR Process AB, or any other affiliated company within the Inor Group (hereinafter jointly referred to as "Inor"), hereby warrants that the Product will be free from defects in materials or workmanship for a period of **five (5) years** from the date of delivery ("Limited Warranty"). This Limited Warranty is limited to repair or replacement at Inor's option and is effective only for the first end-user of the Product. Upon receipt of a warranty claim, Inor shall respond within a reasonable time period as to its decision concerning:

- Whether Inor acknowledges its responsibility for any asserted defect in materials or workmanship; and, if so,
- the appropriate cause of action to be taken (i.e. whether a defective product should be replaced or repaired by Inor).

This Limited Warranty applies only if the Product:

- is installed according to the instructions furnished by Inor;
- is connected to a proper power supply;
- is not misused or abused; and
- there is no evidence of tampering, mishandling, neglect, accidental damage, modification or repair without the approval of Inor or damage done to the Product by anyone other than Inor.

This Limited Warranty is provided by Inor and contains the only express warranty provided.

INOR SPECIFICALLY DISCLAIMS ANY EXPRESS WARRANTY NOT PROVIDED HEREIN AND ANY IMPLIED WARRANTY, GUARANTEE OR REPRESENTATION AS TO SUITABILITY FOR ANY PARTICULAR PURPOSE, PERFORMANCE, QUALITY AND ABSENCE OF ANY HIDDEN DEFECTS, AND ANY REMEDY FOR BREACH OF CONTRACT, WHICH BUT FOR THIS PROVISION, MIGHT ARISE BY IMPLICATION, OPERATION OF LAW, CUSTOM OF TRADE OR COURSE OF DEALING, INCLUDING IMPLIED WARRANTIES OF MERCHANTABILITY AND FITNESS FOR A PARTICULAR PURPOSE. EXCEPT AS PROVIDED HEREIN, INOR FURTHER DISCLAIMS ANY RESPONSIBILITY FOR LOSSES, EXPENSES, INCONVENIENCES, SPECIAL, DIRECT, SECONDARY OR CONSEQUENTIAL DAMAGES ARISING FROM OWNERSHIP OR USE OF THE PRODUCT.

Products that are covered by the Limited Warranty will either be repaired or replaced at the option of Inor. Customer pays freight to Inor, and Inor will pay the return freight by post or other "normal" way of transport. If any other type of return freight is requested, customer pays the whole return cost.

INOR Process AB
PO Box 9125
200 39 MALMÖ
SWEDEN

Phone: +46 40 31 25 60
Fax: +46 40 31 25 70
E-mail: support@inor.se
Internet: www.inor.com